

**PRESTON**

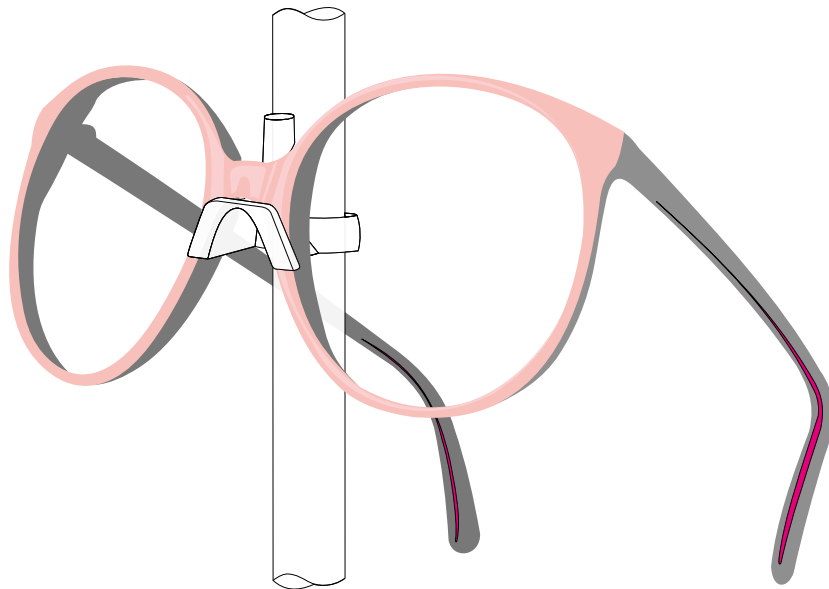
**DISPLAYS**

PTY. LTD.

A.C.N. 005 907 924

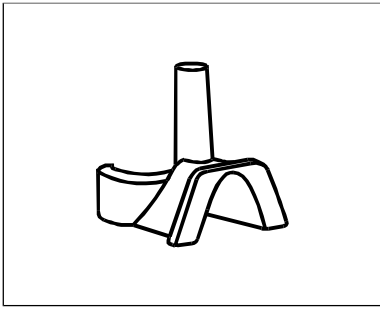
A.B.N. 61363404121

## Optical display accessories

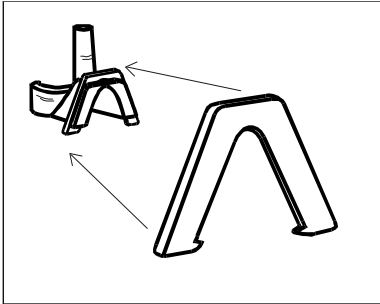


16 JOHNSTON COURT DANDENONG VIC. 3175 TEL +61 3 9706 8862 FAX +61 3 9706 8873  
SPECIALISTS IN ACRYLIC FABRICATION AND ALL YOUR DISPLAY REQUIREMENTS

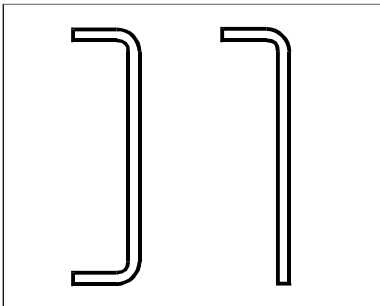
## Optical accessories



PD 301 Frame cradle clip in clear polycarbonate, clips onto 16mm rod.

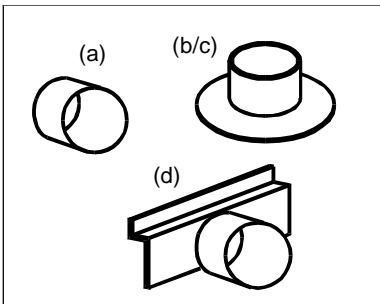


PD 301A Frame cradle spacer clip.  
For use where required with thin metal framed spectacles, assists frame to stay horizontal.

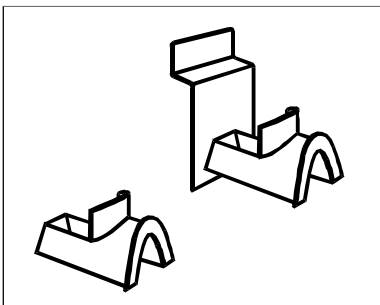


PD 302 "D" rods in 16 mm clear acrylic  
PD 302A "D" rods in 16 mm aluminium, silver anodised or powder coated in a range of colours.  
Standard size is 1000 mm long with 140 mm return.  
Use location washers to fit to wall or bench top.  
PD 302NS Acrylic "D" rods non-standard size, state length required.  
PD 303 "L" rods, one bend, 1000 mm long with 140 mm return.  
PD 303NS "L" rods non-standard, state length required.

Please allow at least 4 weeks delivery for aluminium non-standard items. Only "D" rods are ex-stock.



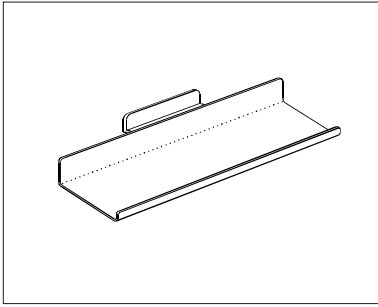
PD 304A Location washer, screws to wall or bench.  
PD 304B Also comes with a 40mm flange.  
PD 304C Flange type also available with double sided adhesive tape for window application.  
PD 304D Location washer with slatwall fixing.



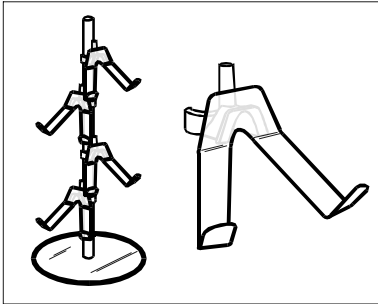
PD 305 Slatwall frame cradle clip, arms of frame to be folded.

PD 305A Glue-on frame cradle clip, arms of frame to be folded.

## Optical accessories

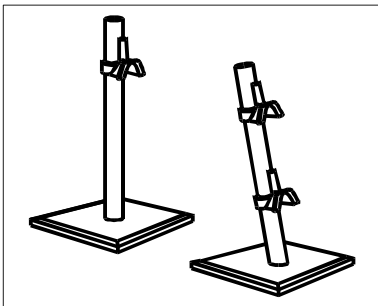


PD 306 Case holder, c/w slatwall fitting or clip for 16mm rod, please state which fitting required.



PD 321 Case holder "tree". Standard unit comprises base (on spinner) with 500 mm high 16mm rod and 6 case holder arms. Order longer rod and more arms as required.

PD 306A Case holder arm only.



PD 307/1 Rod counter display, 1 frame.

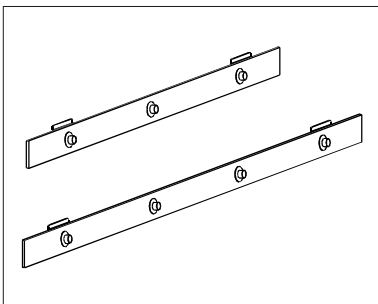
PD 307/2 Rod counter display, 2 frame.

PD 307/3 Rod counter display, 3 frame.

PD 307S/1 Angled, rod counter unit, 1 frame.

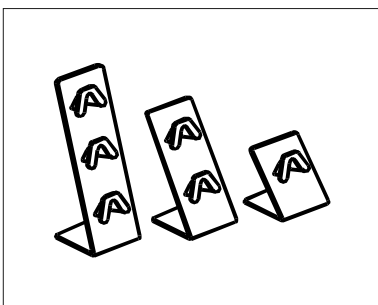
PD 307S/2 Angled, rod counter unit, 2 frame.

PD 307S/3 Angled, rod counter unit, 3 frame.



PD 308/3 3 rod slatwall mount, location washer to fit 16 mm rod.

PD 308/4 4 rod slatwall mount, location washer to fit 16 mm rod.

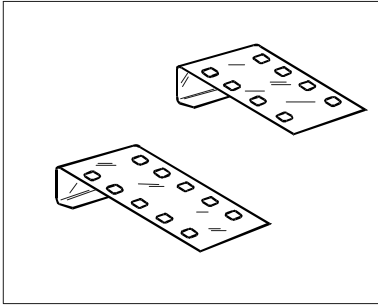


PD 309/1 Counter display stand, 1 frame.

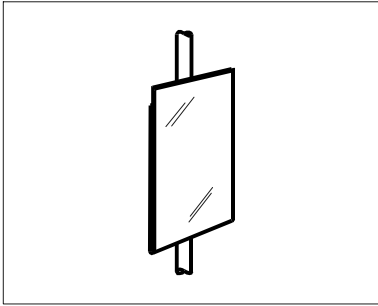
PD 309/2 Counter display stand, 2 frames.

PD 309/3 Counter display stand, 3 frames.

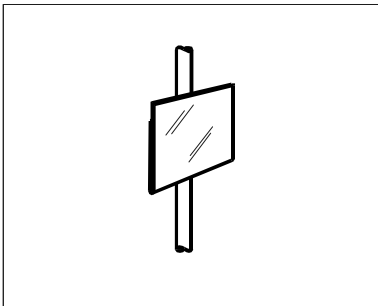
## Optical accessories



PD 310A Counter display stand, 4 frames.  
PD 310B Counter display stand, 5 frames.



PD 311A A4 ticket holder clips onto 16mm rod,  
PD 311B or comes with a slatwall attachment.

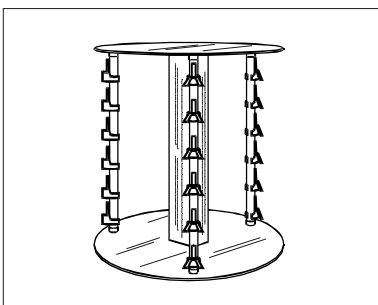


PD 312A A5 ticket holder clips onto 16mm rod,  
PD 312B or comes with a slatwall attachment.



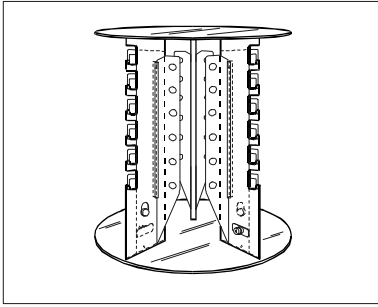
PD 313 Signage plaques, clip-on, slatwall or desk stand.

Price on application - dependant upon quantity and number of colours in the printing.



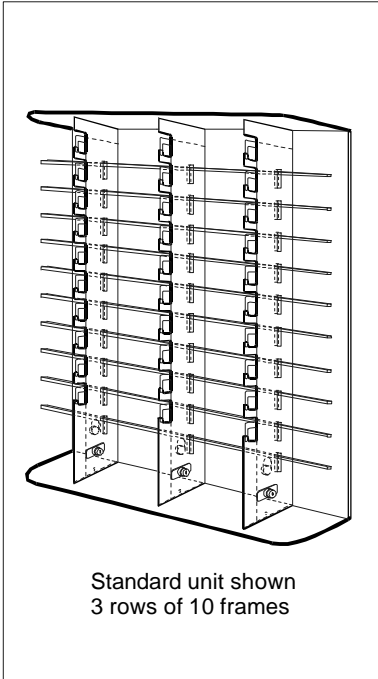
PD 314 3 rod and  
PD 315 4 rod mini spinners designed to hold 18 or 24 frames.  
Consists of black acrylic top and base, aluminium look centre post, acrylic or aluminium rods and frame cradle clips.  
Dimensions are 480mm high X 300mm dia. or 480mm high X 380mm dia.

## Optical accessories



PD 316  
PD 317

3 column and  
4 column lockable, mini spinners, designed to hold 18 or  
24 frames. Consists of coloured acrylic base, clear top  
and clear columns.  
Dimensions are 600 mm high, 390 mm or 450 mm dia.

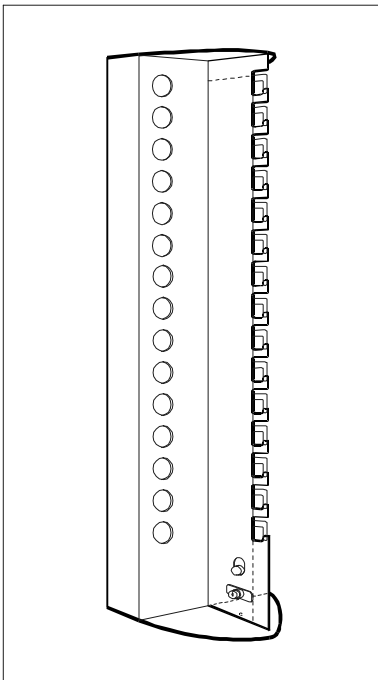


PD 320

Lockable unit, slatwall fixing, wall fixing or sits on bench,  
standard unit is 3 rows of 10 frames.  
Larger or smaller units in multiples of 10 frames per column  
can be manufactured for your requirements.

PD 330

Lockable unit, slatwall fixing, wall fixing or sits on bench,  
in rows of multiples of 15 frames per column can be  
manufactured for your requirements.



PD 322

Lockable tower unit, wall fixing or sits on bench,  
holds fifteen frames.

OPTICAL DISPLAYS  
PRICE INCLUDING GST, JUNE 2001  
FREIGHT IS EXTRA TO PRICE

ITEM	DESCRIPTION	PRICE (includes GST)
PD 301	Frame cradle clip.	\$1.21 Each
PD 301a	Frame cradle clip spacer	\$ 0.30 Each
PD 302	Standard size in acrylic	\$19.80 Each
PD 302A	Standard size in aluminium	\$19.80 Each
PD 302NS	Larger sizes	\$23.65 Each
PD 303	Standard size in acrylic or aluminium	\$14.08 Each
PD 303NS	Larger sizes	\$16.50 Each
Rod	Straight acrylic rod cut to length	\$8.25 metre
	Full length uncut 2600mm	\$15.40 Each
PD 304a	Location washer no flange	\$0.99 Each
PD 304b	Location washer with flange	\$0.99 Each
PD 304c	Location washer with D/S tape	\$1.98 Each
PD 304d	Location washer with slatwall fitting	\$1.98 Each
PD 305	Slatwall fitting frame cradle clip.	\$3.52 Each
PD 305A	Glue on frame cradle clip.	\$2.42 Each
PD 306	Case holder.	\$6.60 Each
PD 321	Standard case holder tree.	\$61.60 Each
	Rod, over 500 mm in length.	\$7.04 lineal metre
PD 306a	Arms.	\$4.40 Each
PD 307/1	Upright, 1 frame.	\$5.17 Each
PD 307/2	Upright, 2 frames.	\$6.27 Each
PD 307/3	Upright, 3 frames.	\$7.37 Each
PD 307S/1	Angled, 1 frame.	\$5.72 Each
PD 307S/2	Angled, 2 frames.	\$6.82 Each
PD 307S/3	Angled, 3 frames.	\$7.92 Each
	Slatwall mount	
PD 308/3	3 rod	\$13.20 Each
PD 308/4	4 rod	\$14.74 Each
PD 309/1	One frame	\$5.61 Each
PD 309/2	Two frames	\$6.05 Each
PD 309/3	Three frames	\$6.93 Each
PD 310a	Four frame	\$15.95 Each
PD 310b	Five frames	\$17.38 Each
PD 311a	A4 ticket holder, clip for 16mm rod	\$11.99 Each
PD 311b	slatwall fitting	\$11.99 Each
PD 312a	A5 ticket holder, clip for 16mm rod	\$8.99 Each
PD 312b	slatwall fitting	\$8.99 Each
PD 313	Signage plaques, comes with clip for 16mm rod or slatwall fitting	P. O. A. Each
PD 314	3 rod with 18 frame cradle clips	\$89.43 Each
PD 315	4 rod with 24 frame cradle clips	\$99.55 Each
PD 316	18 frame rotating lockable	\$194.05 Each
PD 317	24 frame rotating lockable	\$236.62 Each
PD 320	Standard size 30 frames, 3 rows of 10 Made in clear acrylic, can stand on counter, slatwall fitting or can be fixed to wall	\$376.20 Each
PD 322	Lockable tower unit, stand alone, slatwall or wall fix, 15 frames.	\$181.50 Each